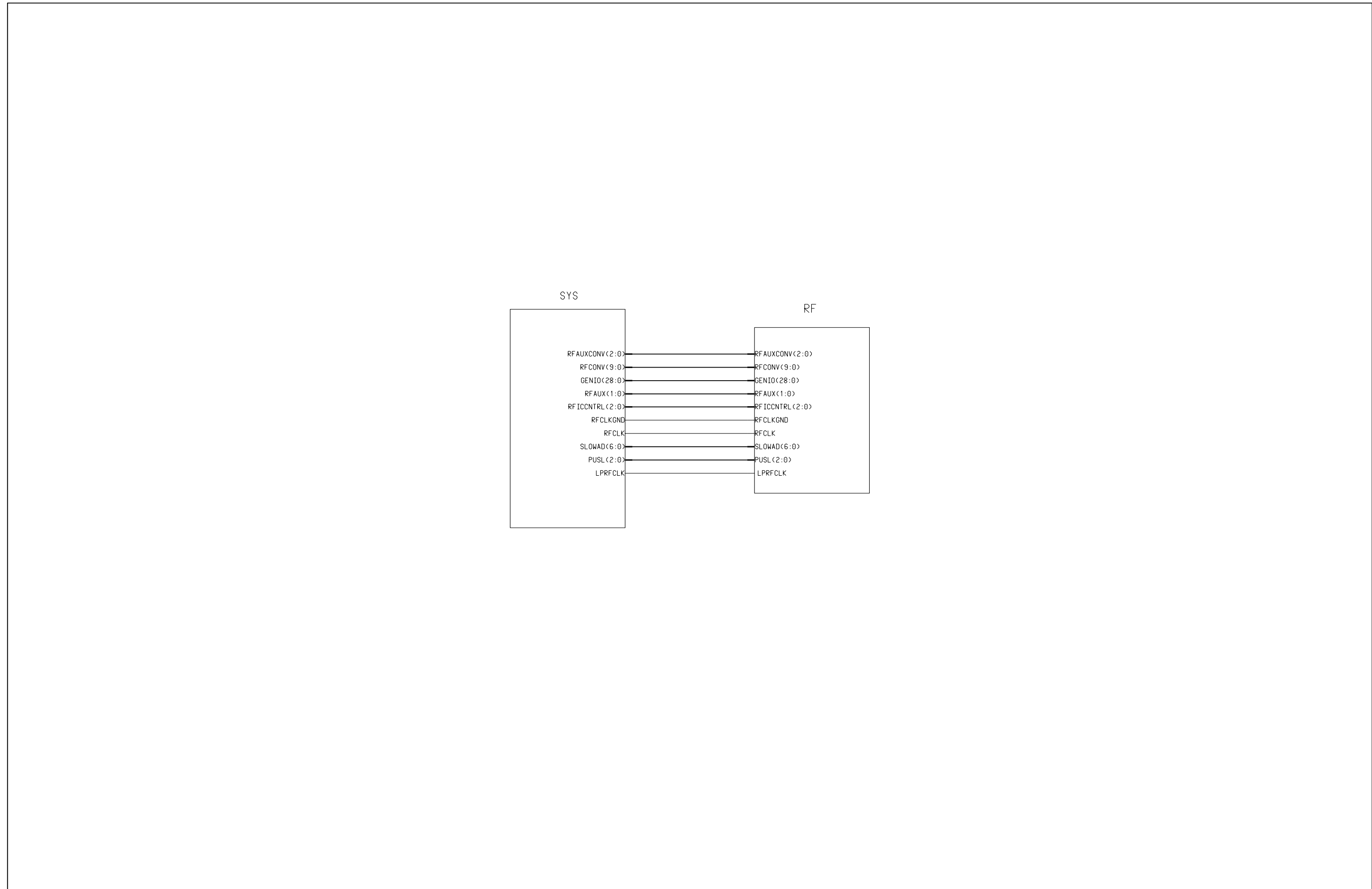
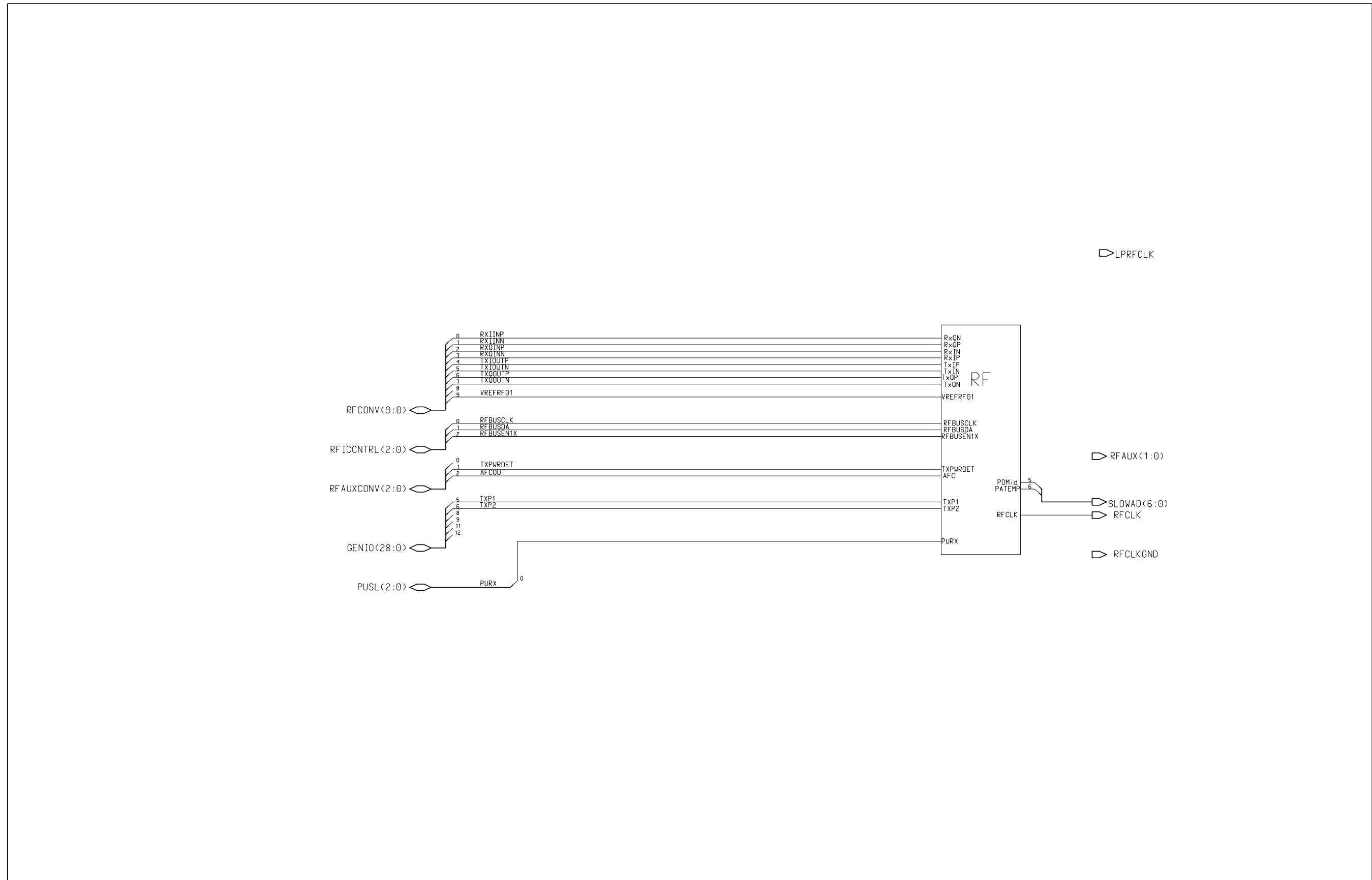


# Connection between RF and Baseband Modules

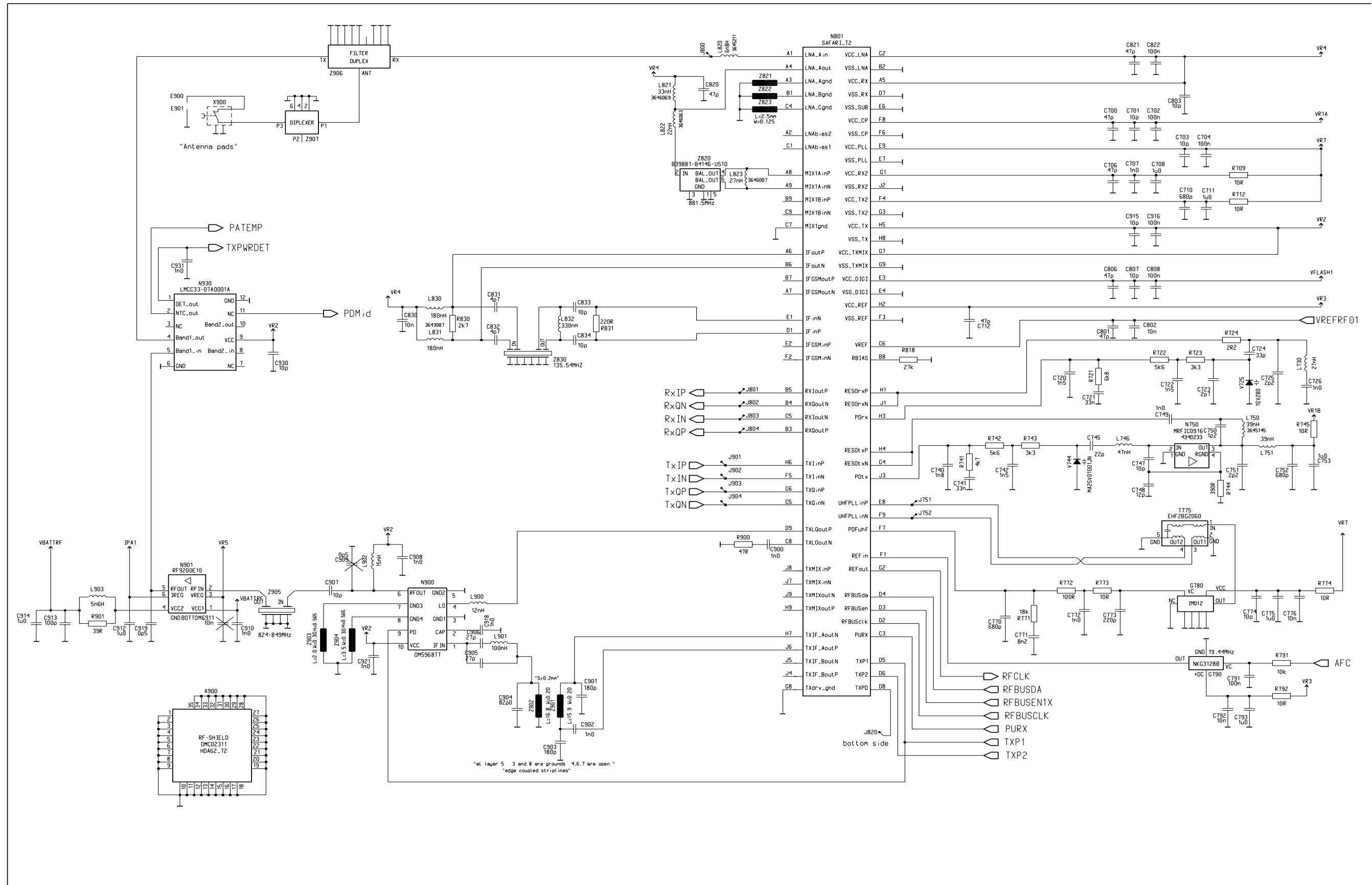




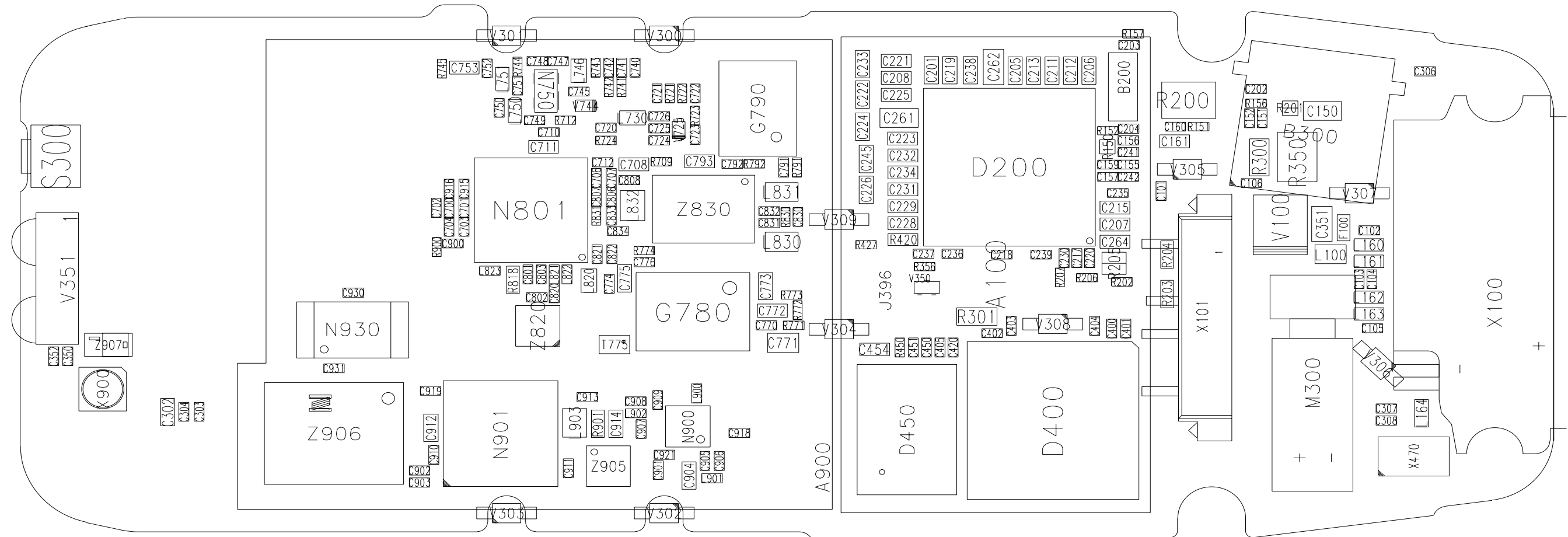
# Circuit Diagram of RF Block



# Circuit Diagram of Radio Frequency Block



# Component Assembly Diagram



# Assembly Value Diagram

